

ZENVIDA

Product name: Zenvida Accent Chair
SKU: 245-ACCNTCHR1
EMAIL: priority@zenvidahome.com
TEL: 855-349-4327
<http://bit.ly/ZENVIDA>



Reaching out via product review, marketplace email, social media or leaving seller feedback may cause a delay in response. If you have questions about this product or need anything, please contact us. You are our priority!

Need help?



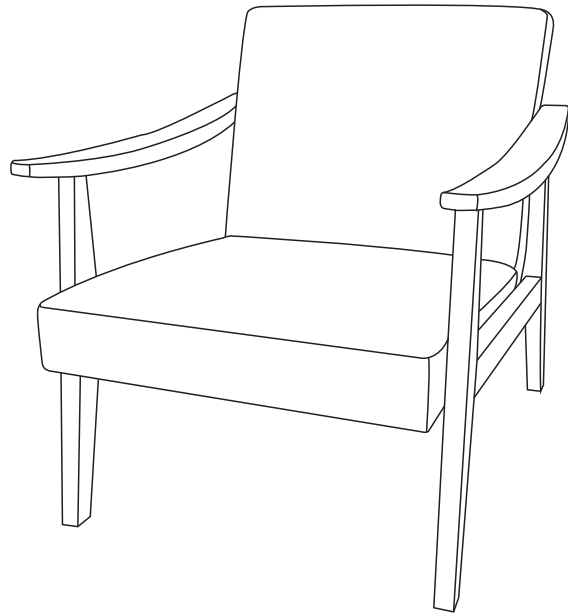
Scan here!

WARNING

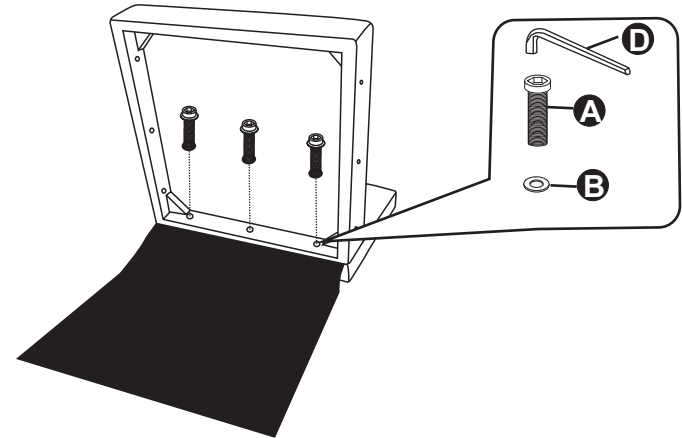
Power tools may strip bolts or screws. Hand tighten bolts to only about 75% tight. Do NOT completely tighten any bolt during assembly until all bolts are connected.

ZENVIDA

Product name: Zenvida Accent Chair
 SKU: 245-ACCNTCHR1
 EMAIL: priority@zenvidahome.com
 TEL: 855-349-4327
<http://bit.ly/ZENVIDA>

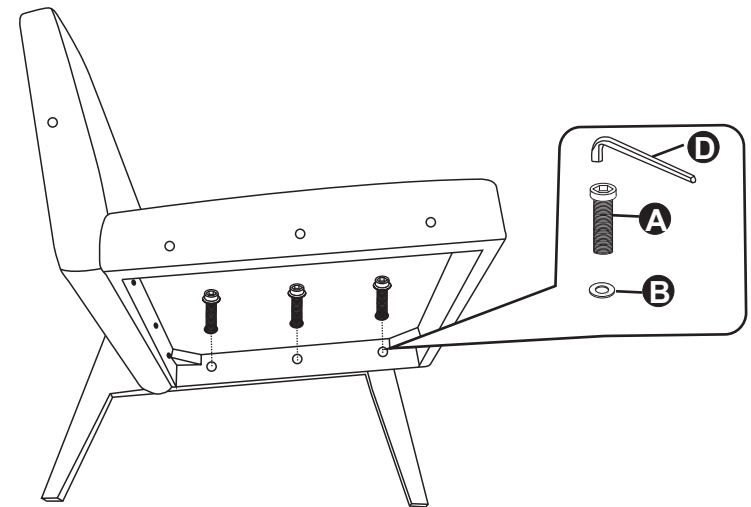


1







Put the screws in the holes, tight the screws, but not too tight, 90% is ok.

2

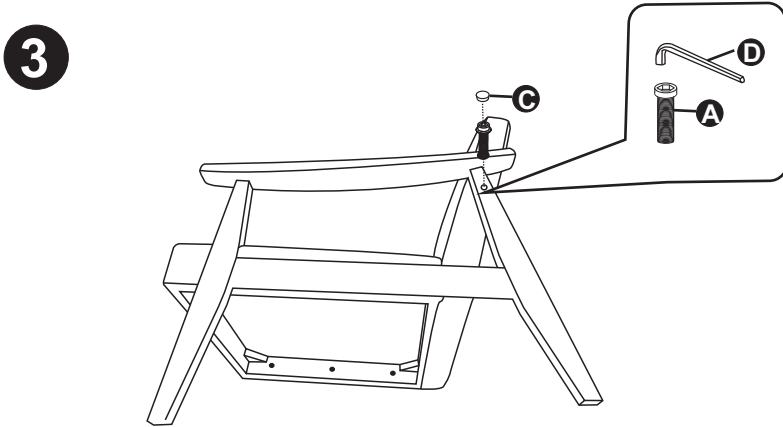


Put the screws in the holes, tight the screws, but not too tight, 90% is ok.

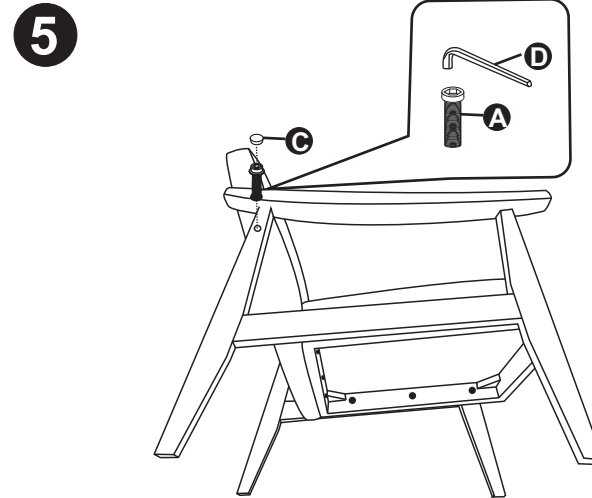
HARDWARE LIST	CODE	PARTS	QTY.
	A	M8x50MM 	11
	B		9
	C		2
	D	ALLEN KEY 	1

ZENVIDA

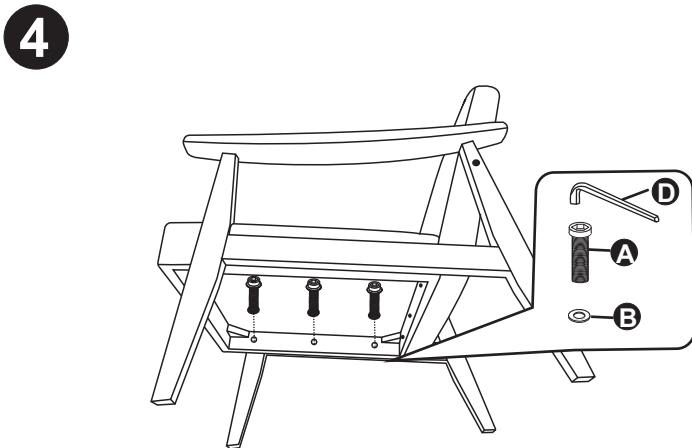
Product name: Zenvida Accent Chair
SKU: 245-ACCNTCHR1
EMAIL: priority@zenvidahome.com
TEL: 855-349-4327
<http://bit.ly/ZENVIDA>



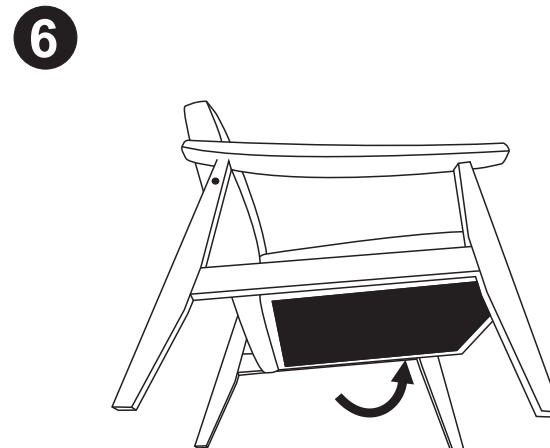
Put the screws in the holes, tight the screws, but not too tight, 90% is ok.



Put the screws in the holes, tight the screws, but not too tight, 90% is ok.



Put the screws in the holes, tight the screws, but not too tight, 90% is ok.



Tight all the screws to 100%
Stick the black part on the seat