

ZENVIDA

Product name: Zenvida Upholstered Dining Bench
SKU: 245-DNGBNCH-42
EMAIL: priority@zenvidahome.com
TEL: 855-349-4327
<http://bit.ly/ZENVIDA>



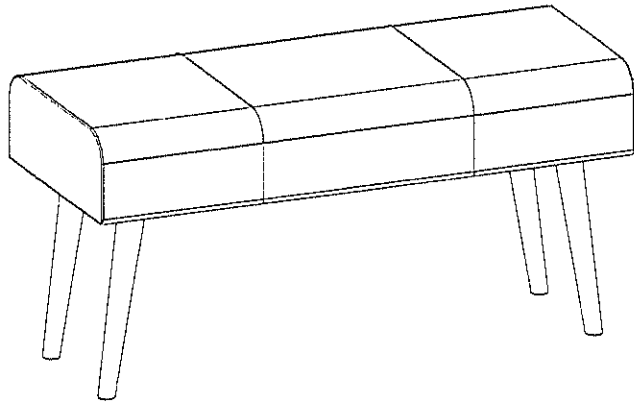
*****WARNING*****

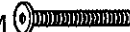



Power tools may strip bolts or screws. Hand tighten bolts to only about 75% tight. Do NOT completely tighten any bolt during assembly until all bolts and washers are connected. Having someone help you may make assembly easier.

Reaching out via product review, marketplace email, social media or leaving seller feedback may cause a delay in response. If you have questions about this product or need anything, please contact us. You are our priority!

Assembly Instructions

Product Name :Upholstered Dining Bench
 SKU : 245 - DNGBNCH42
 EMAIL : priority@zenvidahome.com
 TEL : 855 - 349 - 4327
<http://bit.ly/ZENVIDA>



No.	Hardware List	Qty.
A	JCBB screw M8 x 25MM 	16
B	Spring Washer 	16
C	Allen Key M5 	1
D	Felt 	4

