

# Zenvida

Life is in the Details

Product: Zenvida Mid Century Pub Stools,  
High Back, Set of 2  
SKU: 295-PUBMCSTLHIGH  
EMAIL: [priority@zenvidahome.com](mailto:priority@zenvidahome.com)  
TEL: 855-349-4327  
<http://bit.ly/ZENVIDA>



Reaching out via product review, marketplace email, social media or leaving seller feedback may cause a delay in response. If you have questions about this product or need anything, please contact us. You are our priority!

### \*\*\*WARNING\*\*\*

Power tools may strip bolts or screws. Hand tighten bolts to only about 75% tight. Do NOT completely tighten any bolt during assembly until all bolts and washers are connected. Having someone help you may make assembly easier.



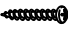


# ASSEMBLY INSTRUCTIONS

Read this instruction carefully. See hardware and furniture part list for guidance. Be sure all part is complete, before you assemble. Place all wooden furniture part on a clean and flat soft surface to prevent from being scratched. Follow the figure to start assembling.

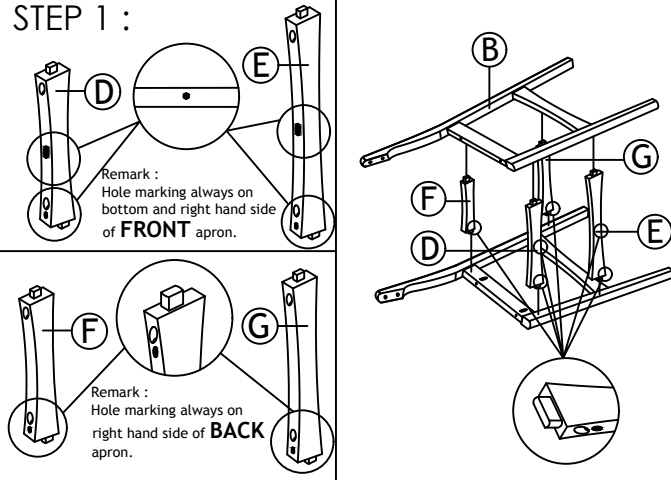
## CAUTIONS :

1. Do not FULLY-TIGHTEN the nut or nut bolt until all nut or bolt is ready assembled.
2. Do not OVER-TIGHTEN the nut or nut bolt to avoid causing damages to the thread.
3. Keep all hardware part out of reach of children.

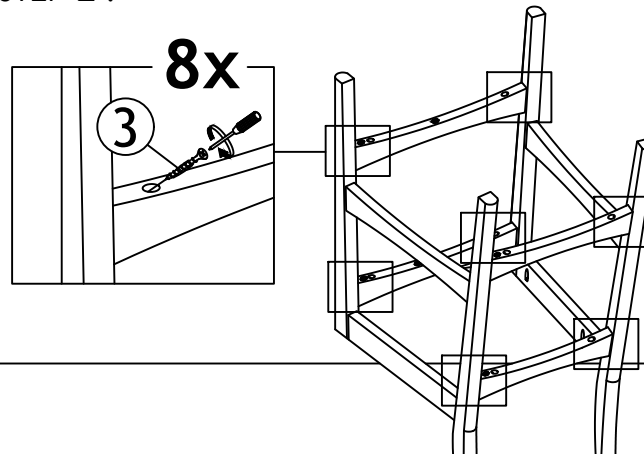
PART LIST		
ITEM	DESCRIPTION	QTY
A	CUSHION	1 PC
B	LEGS (R & L)	2 PCS
C	BACK REST	1 PC
D	APRON FRONT (SHORT)	1 PC
E	APRON FRONT (LONG)	1 PC
F	APRON BACK (SHORT)	1 PC
G	APRON BACK (LONG)	1 PC

HARDWARE LIST		
ITEM	DESCRIPTION	QTY
1	JCBC SCREW M6 x 25MM 	4 PCS
2	SPRING WASHER 1/4" 	4 PCS
3	PAN HEAD WOOD SCREW M5 X 32MM 	12 PCS
4	WOOD BUTTON (DIA:14.5) 	4 PCS
5	ALLEN KEY M4 ( BALL SHAPE ) 	1 PC

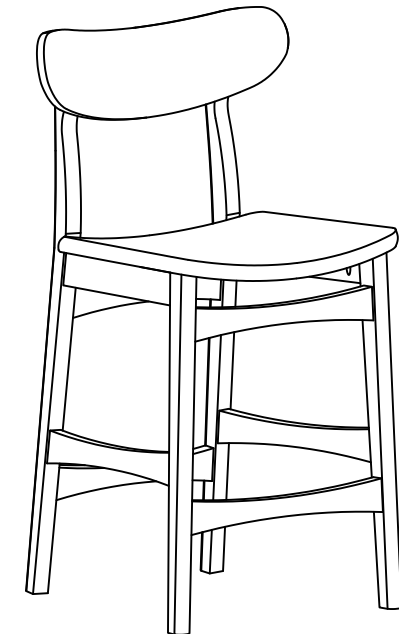
## STEP 1 :



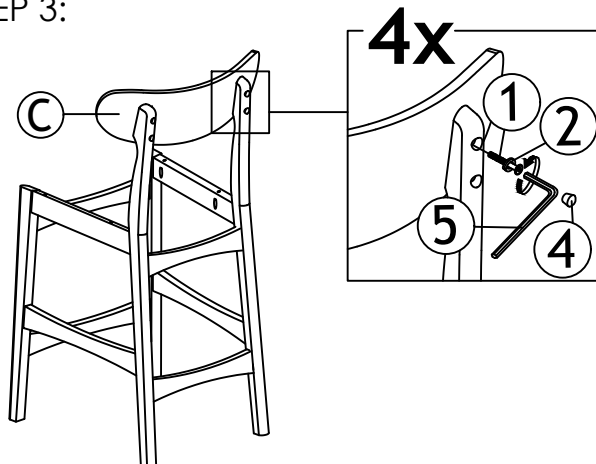
## STEP 2 :



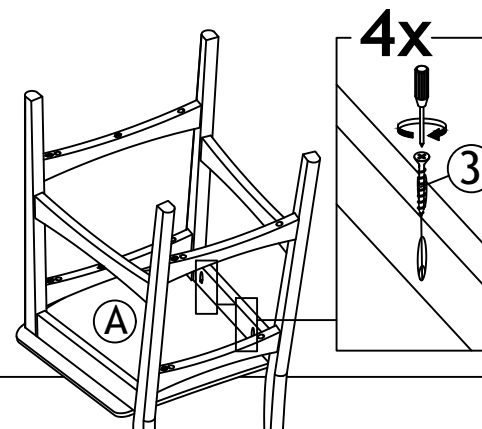
## STEP 5 :



## STEP 3 :



## STEP 4 :



COMPLETED CHAIR ASSEMBLY